

TEXAS ACTIVE LIFESTYLES SHOW

08/25/20 - 08/26/20

SUGAR LAND MARRIOTT TOWN SQUARE - LEVEL 1 - SUGAR LAND, TX

REVISION

Date: 8/18/2020

By: Justine L. Jensen, NERDS

BOOTH COUNT

SUGARLAND as of 08/18/2020

Dimension	Size	Qty	SqFt	Rented	Available
10x10	100	33	3,300	31	2
10x20	200	2	400	2	0
Custom	300	1	300	1	0
Totals:		36	4,000	34	2

CANE MTO RM as of 08/18/2020

Dimension	Size	Qty	SqFt	Rented	Available
10x10	100	3	300	1	2
10x20	200	1	200	1	0
Totals:		4	500	2	2

BLDG. LEGEND:

DRAWING INFO

Passport Line Item Number:

#6550191

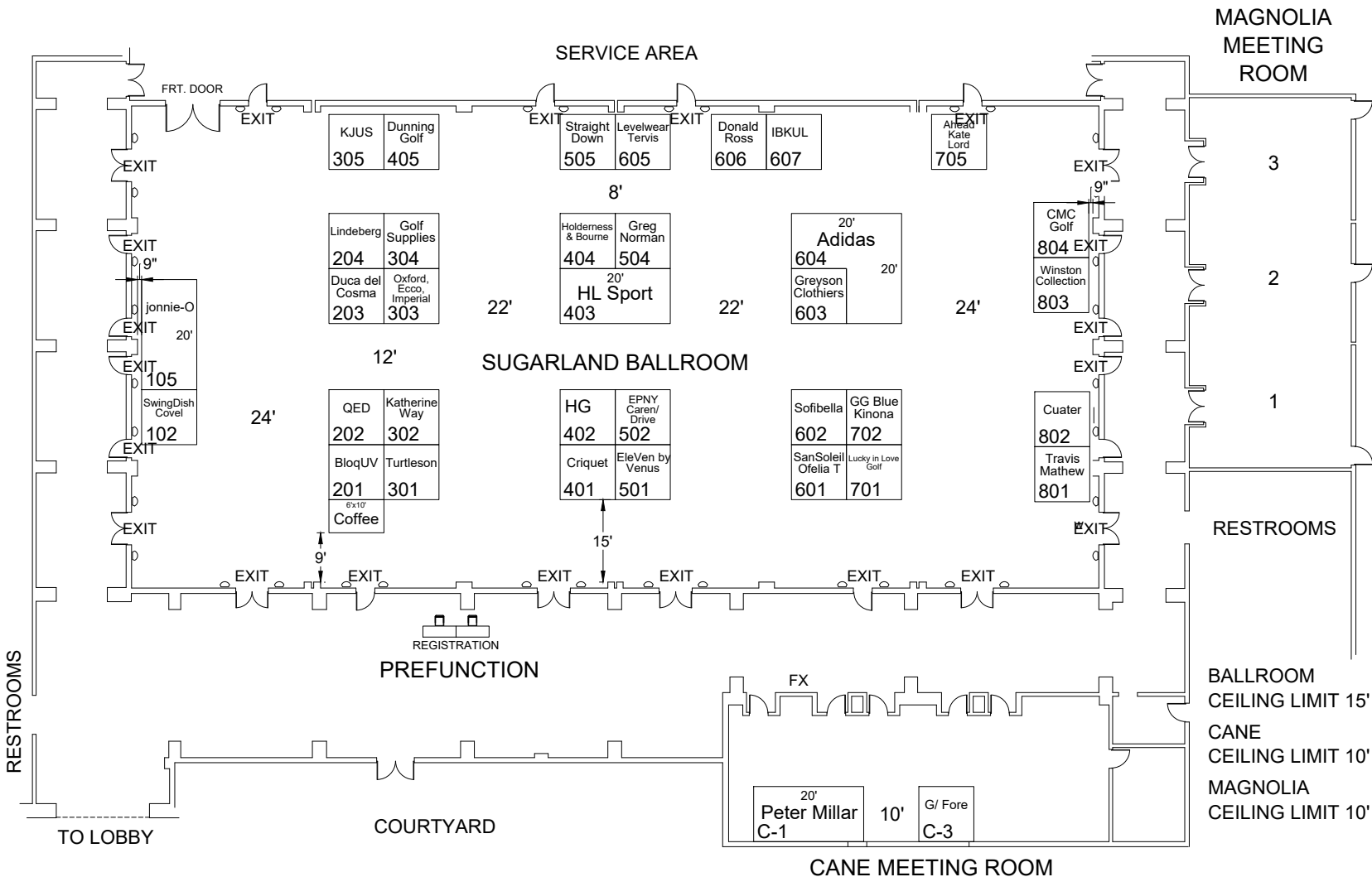
Facility:
SUGAR LAND MARRIOTT TOWN SQUARE

Facility Location:
LEVEL 1
City & State:
SUGAR LAND, TX
Scale: CUSTOM
Project #: 460871
Acct. Sales: DENA SORSBY
Acct. Mgmt.: PAM BALSAM
Started: 8/13/2020
Started By: JUSTINE L. JENSEN, NERDS
Prod. Branch: HOUSTON

FREEMAN®

Disclaimer - This floor plan is preliminary and subject to change pending review and official approval by all authorities having jurisdiction. Every effort has been made to ensure the accuracy of all information contained on this floor plan. However, no warranties, either expressed or implied, are made with respect to this floor plan. If the location of building columns, utilities or other architectural components of the facility is a consideration in the construction or usage of an exhibit, it is the sole responsibility of the exhibitor to physically inspect the facility to verify all dimension and locations.
© Copyright 2020, Freeman Co. All rights reserved.

Confidential and Proprietary - the information contained herein is the proprietary information of Freeman and by accessing the information, the recipient agrees to keep the information confidential and not disclose it to any third party without the prior consent of Freeman. Recipient also agrees to only use the information for its internal evaluation purposes and for no other purpose, without the prior consent of Freeman.



File Path: C:\Vault\Designs\Projects\TITX Active Lifestyles Show\TAL_S2008\Event\Floor Plans\TAL_S20 LVL1-2.dwg | Tab Name: OVERALL L6550191.FP